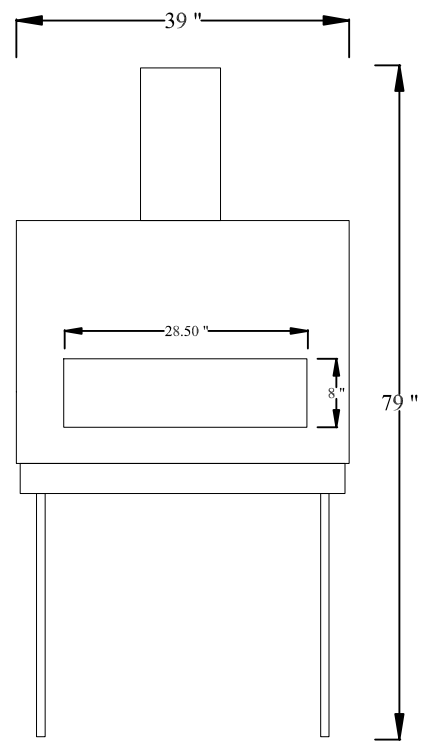


FRONT VIEW



SIDE VIEW

| | | |
|--|----------------------------|----------|
| RS CRYO EQUIPMENT INC. 815-468-6115 | | |
| 629 GROVE ST. MANTENO, IL 60950 | | |
| TITLE: MODULAR COMPACT TUNNEL FREEZER | | |
| THIS PRINT IS THE PROPERTY OF R.S. CRYO EQUIPMENT INC. AND SHALL NOT BE REPRODUCED, COPIED, LENT, OR DISPOSED OF DIRECTLY OR INDIRECTLY NOR USED FOR ANY PURPOSE OTHER THAN WHICH IT WAS FURNISHED EXCEPT BY WRITTEN PERMISSION BY RS CRYO | | |
| DRAWING SCALE | DRAWN BY: JAMIE SOBECKI | 12-3-1N2 |
| | DATE: 11/9/21 | SERIAL |