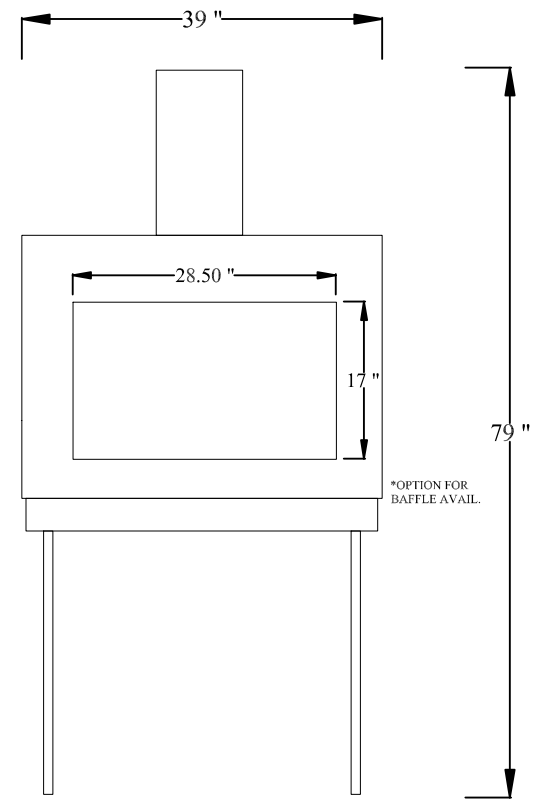


FRONT VIEW



SIDE VIEW

RS CRYO EQUIPMENT INC. 815-468-6115		
629 GROVE ST. MANTENO, IL 60950		
TITLE: MODULAR CRYOGENIC TUNNEL FREEZER		
THIS PRINT IS THE PROPERTY OF R.S. CRYO EQUIPMENT INC. AND SHALL NOT BE REPRODUCED, COPIED, LENT, OR DISPOSED OF DIRECTLY OR INDIRECTLY NOR USED FOR ANY PURPOSE OTHER THAN WHICH IT WAS FURNISHED EXCEPT BY WRITTEN PERMISSION BY RS CRYO		
DRAWING SCALE	DRAWN BY: JAIME SOBECKI	12-1-1N2
	DATE: 2/24/22	SERIAL